



NON-WOVEN

mm
MANACA
MEDICAL



REF. BA25

VISITOR'S COAT OF 25 GRAMS

Polypropylene gown of 25 grams with long sleeves in size 120 x 140cm with zipper on the back.

FEATURES

- ✓ Non-woven fabric 100% Polypropylene spunbond 25 g/m².
- ✓ Non-toxic, tasteless and biodegradable.
- ✓ Latex-free.
- ✓ Covers torso, arms and extremities.
- ✓ Comfortable, snug and breathable.
- ✓ No pockets.
- ✓ Back zipper.
- ✓ Green color.
- ✓ One size.

CONSERVATION

Store in cool and well ventilated place, keep away from sources of ignition and flames, as well as strong oxidizing agents, corrosives and fuel materials.





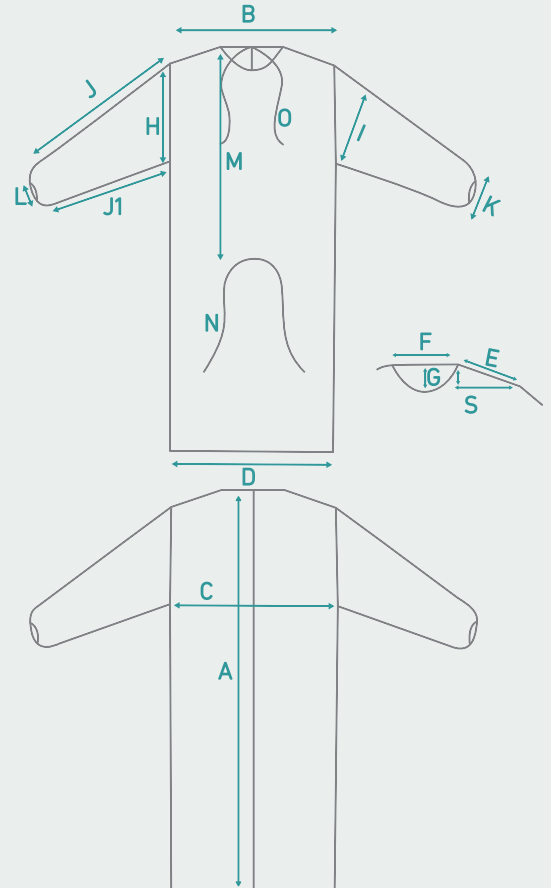
NON-WOVEN

MANACA
MEDICAL

REF. BA25

VISITOR'S COAT OF 25 GRAMS

	MEASURE		MEASURE
A	120 cm	J	57 cm
B	70 cm	J1	56 cm
C	70 cm	K	16 cm
D	70 cm	L	6 cm
E	23 cm	M	49 cm
F	24 cm	N	95 cm
G	9 cm	O	38 cm
H	25 cm	S	4 cm
I	26 cm		



PRESENTATION

Transport box of 100 units. Inner bags of 5 units.

Dimensions of the transport box: 49 x 25 x 33 cm

COMPLIANCE

Conforms to European legislation MDR 2017/745. ISO 13485. DIN EN ISO 13485:2016.



LATEX FREE



100%
POLYPROPYLENE